

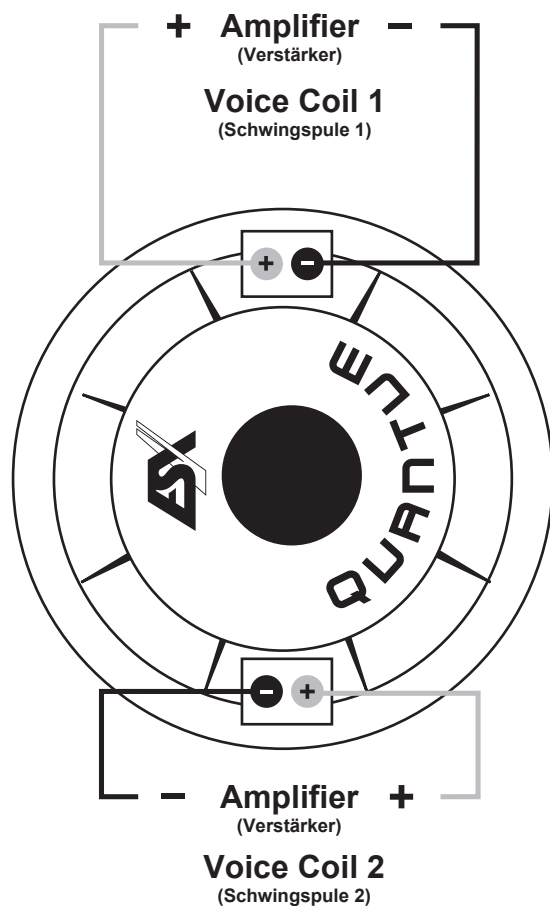


QE1222 · QE1224 · QE1522 · QE1524

WIRING DIAGRAM (Anschlussdiagramm)

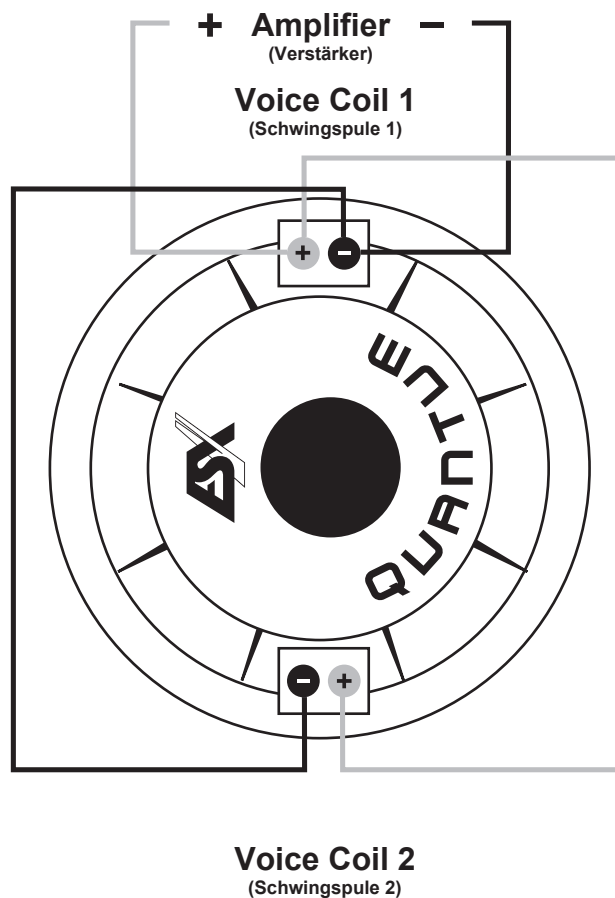
Standard

QE1222 / QE1522 = 2 + 2 Ohm
QE1224 / QE1524 = 4 + 4 Ohm



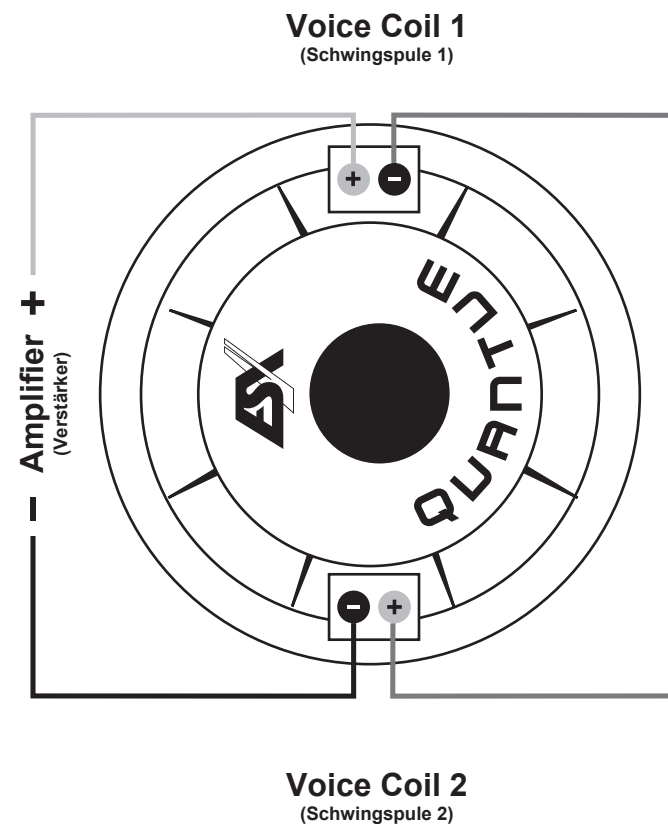
Parallel

QE1222 / QE1522 = 1 Ohm
QE1224 / QE1524 = 2 Ohm



Serial (Reihe)

QE1222 / QE1522 = 4 Ohm
QE1224 / QE1524 = 8 Ohm





QE1222 · QE1224 · QE1522 · QE1524

SPECIFICATIONS

(Technische Daten)

	RMS W	MAX W	NOM. IMP. Ohm	OUTER DIAMETER Außendurchmesser mm	MOUNTING HOLE Einbauöffnung mm	MOUNTING DEPTH Einbautiefe mm	Xmax max. mm	SD cm ²	Mms g	Re Ohm	Fs Hz	Qms	Qes	Qts	VAS L	SPL dB	Le mH	VC mm
QE1222	800	1600	2 + 2	323	288	160	40	510	144	4	33	4,8	0,41	0,38	59	89	2,2	76
QE1224	800	1600	4 + 4	323	288	160	40	510	125	7,2	37	3,66	0,5	0,44	54	89	2,7	76
QE1522	1000	2000	2 + 2	394	354	182	40	830	206	4	33	5,01	0,48	0,44	109	91	2,2	76
QE1524	1000	2000	4 + 4	394	354	182	40	830	187	7,2	36	3,86	0,56	0,49	101	91	2,8	76

RECOMMENDED ENCLOSURES

(Gehäuse-Vorschläge)

	VENTED ENCLOSURE - COMPACT (Bassreflex-Gehäuse - Kompakt)					VENTED ENCLOSURE - DEEP BASS (Bassreflex-Gehäuse - Tiefbass)					BANDPASS ENCLOSURES (Bandpass-Gehäuse)			
	VOLUME Volumen	-3dB FREQ. F3	TUNING FREQ. Fb	PORT Ø Kanal Ø	PORT LENGTH Kanal Länge	VOLUME Volumen	-3dB FREQ. F3	TUNING FREQ. Fb	PORT Ø Kanal Ø	PORT LENGTH Kanal Länge	SEALED VOLUME Geschl. Volumen	VENTED VOLUME Ventil. Volumen	PORT A Kanal A	PORT LENGTH Kanal Länge
	Vb L	F3 Hz	Fb Hz	cm	cm	Vb L	F3 Hz	Fb Hz	cm	cm	Vb1 L	Vb2 L	cm ²	cm
QE1222	45	37	40	10	25	55	35	38	10	22	24	35	160 = 2 x 10 cm port = 2 x 10 cm BR-Rohr	26
QE1224	45	38	40	10	25	55	35	38	10	22	24	35	160 = 2 x 10 cm port = 2 x 10 cm BR-Rohr	26
QE1522	90	35	37	2 x 10	26	120	31	34	2 x 10	22	50	80	320 = 4 x 10 cm port = 4 x 10 cm BR-Rohr	22
QE1524	90	36	37	2 x 10	26	120	32	34	2 x 10	22	50	80	320 = 4 x 10 cm port = 4 x 10 cm BR-Rohr	22



DISTRIBUTION:

Audio Design GmbH · Am Breilingsweg 3 · D-76709 Kronau / Germany
Fon +49(0)7253 - 9465-0 · Fax +49(0)7253 - 946510 · www.audiodesign.de